

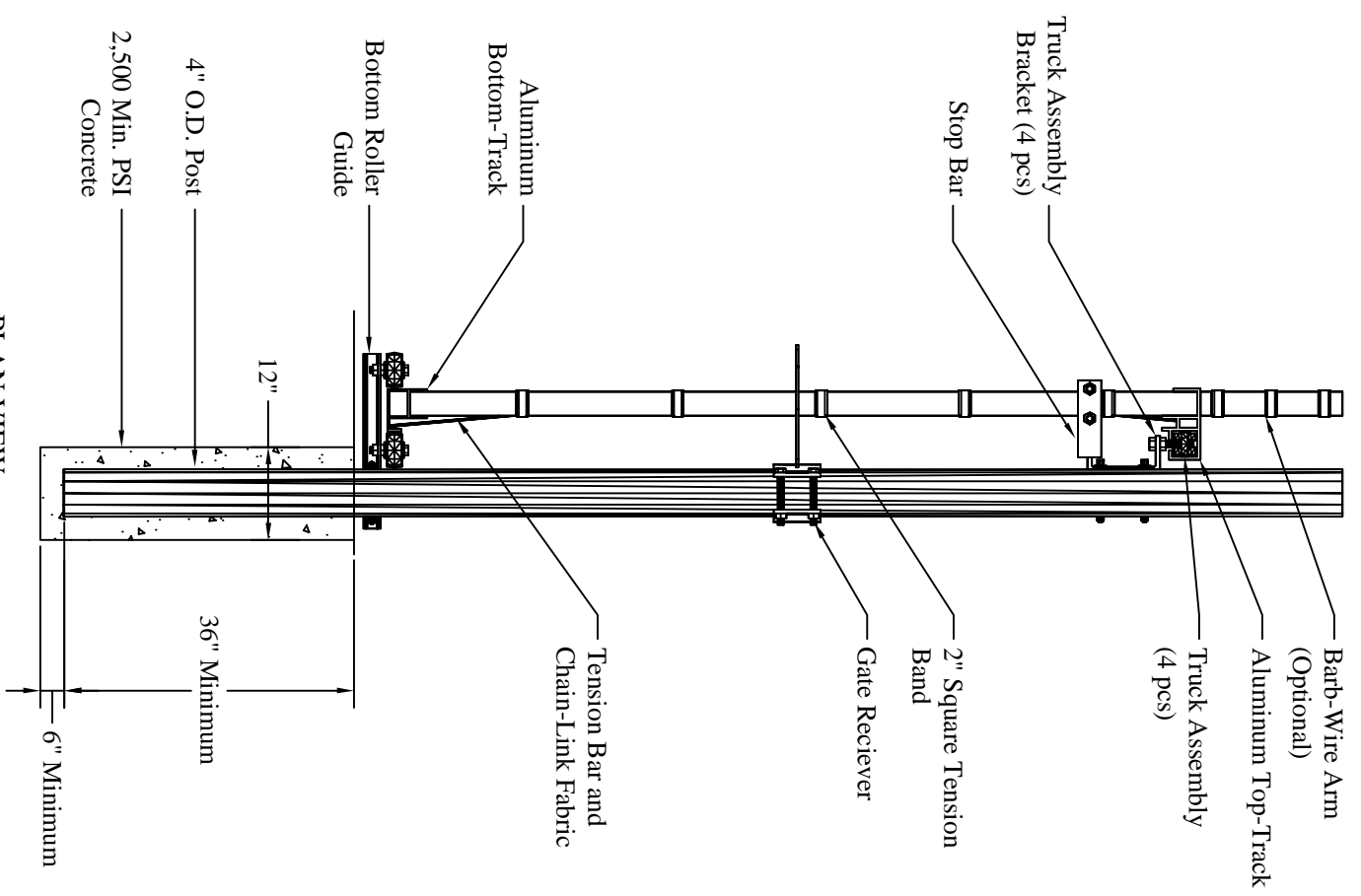
A

B

D

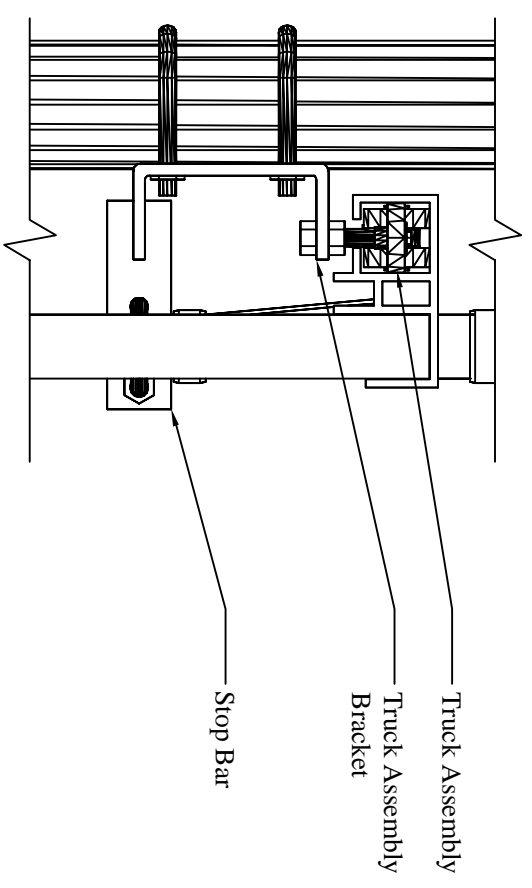
E

DRAWING NO:



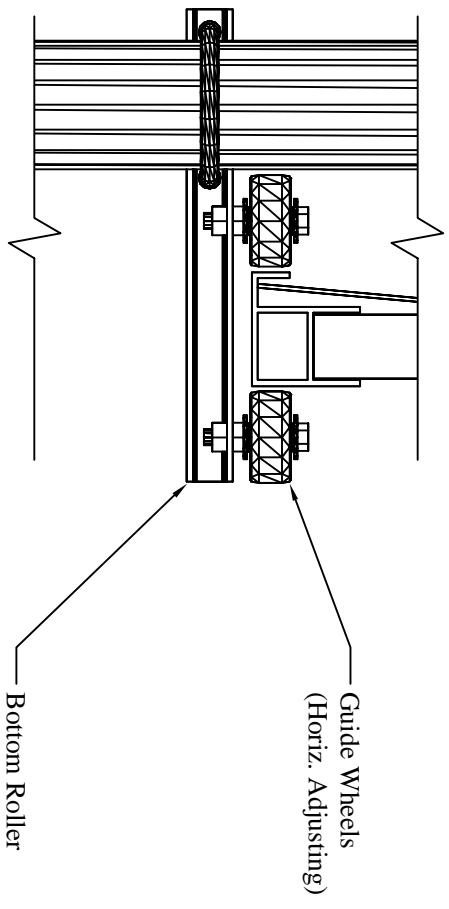
**PLAN VIEW**

1. Scale - 1/8" = 1'-0"



**DETAIL OF TRUCK ASSEMBLY**

1. Scale - 2" = 1'-0"



**DETAIL OF BOTTOM GUIDE**

1. Scale - 2" = 1'-0"



Single-Track Aluminum Slide Gate  
Plan Details

DATE: 10-07-2005	APPROVED BY: JMP
SCALE: VAR	DRAWN BY: MIL
	REV: 1

A

B

C

D

E

