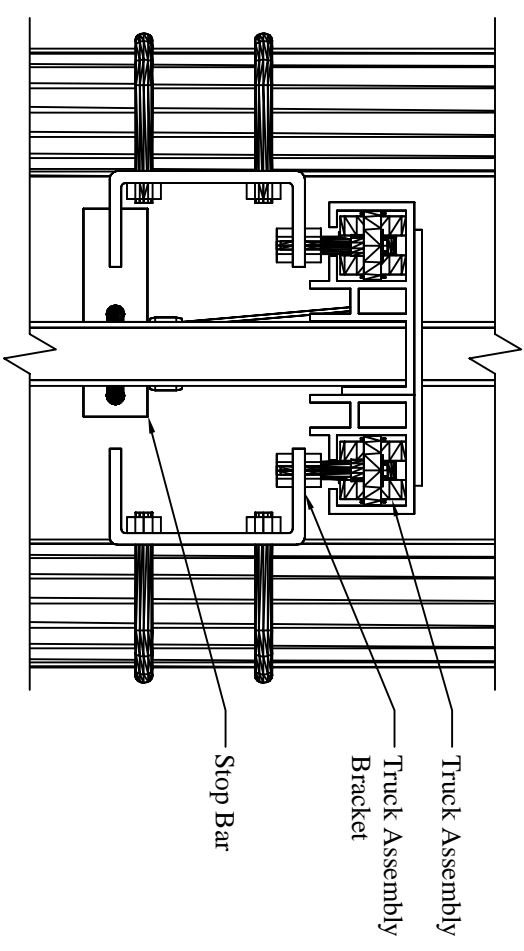
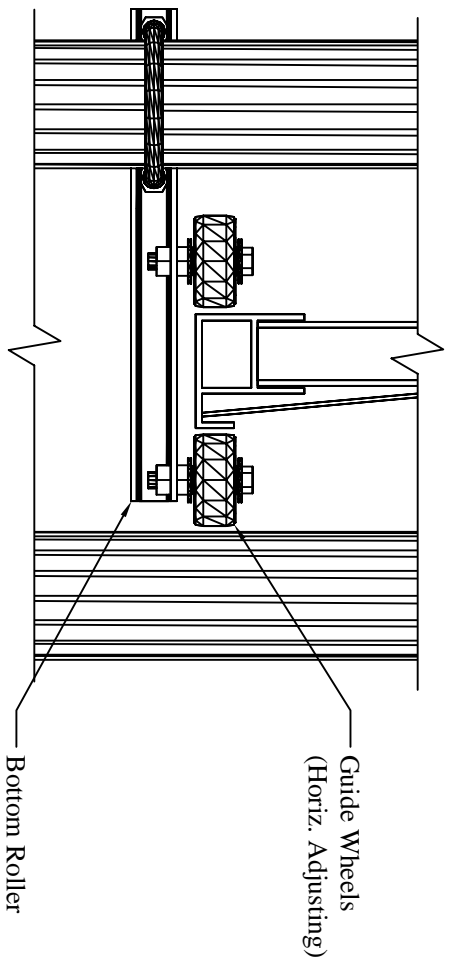


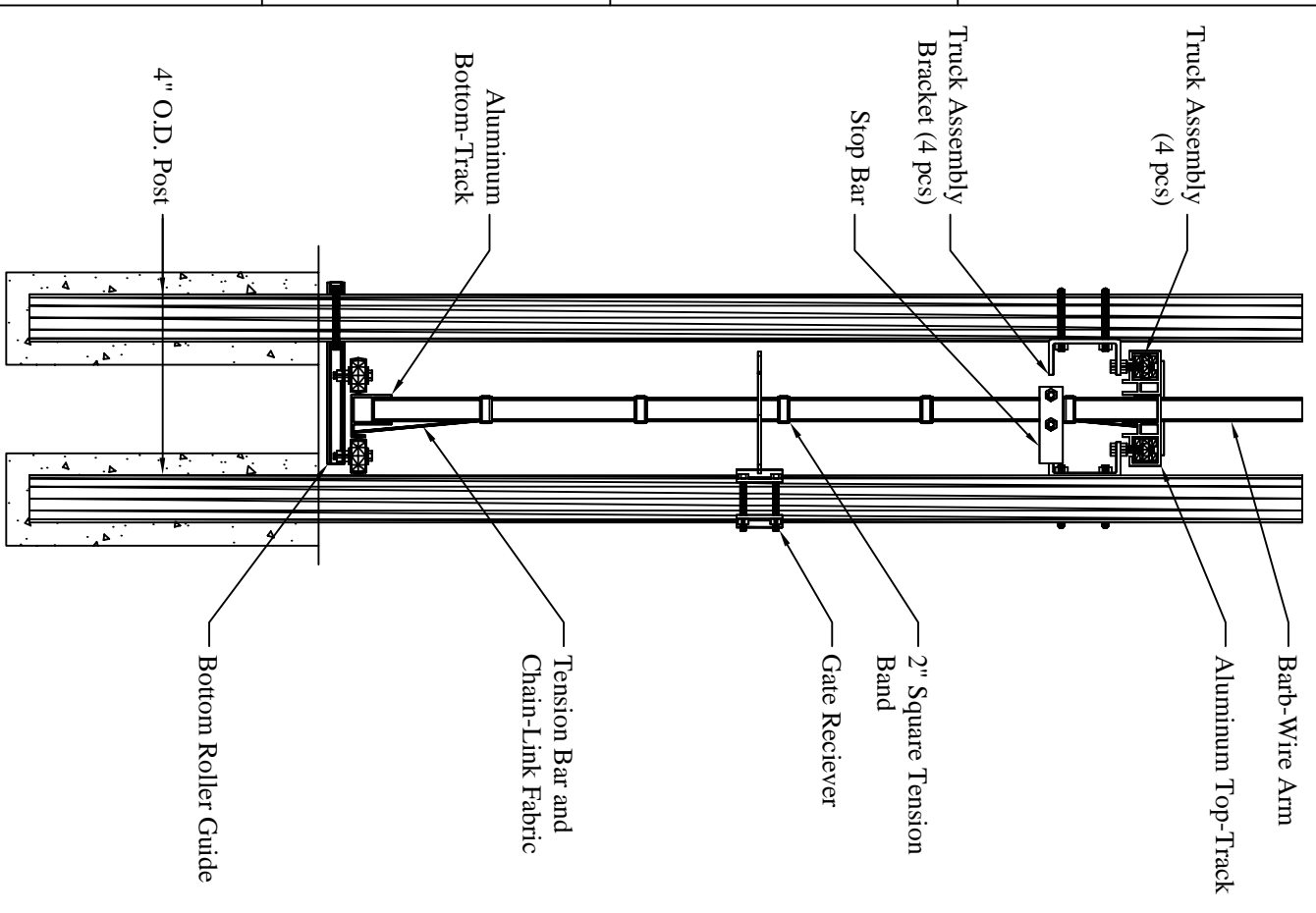
DRAWING NO:



DETAIL OF TRUCK ASSEMBLY  
1. Scale - 2" = 1'-0"



DETAIL OF BOTTOM GUIDE  
1. Scale - 2" = 1'-0"



PLAN VIEW  
1. Scale - 1/8" = 1'-0"



Dual-Track Aluminum Slide Gate  
Plan Details

DATE: 10-07-2008 APPROVED BY: JMP  
SCALE: VAR DRAWN BY: MJL REV: 1