

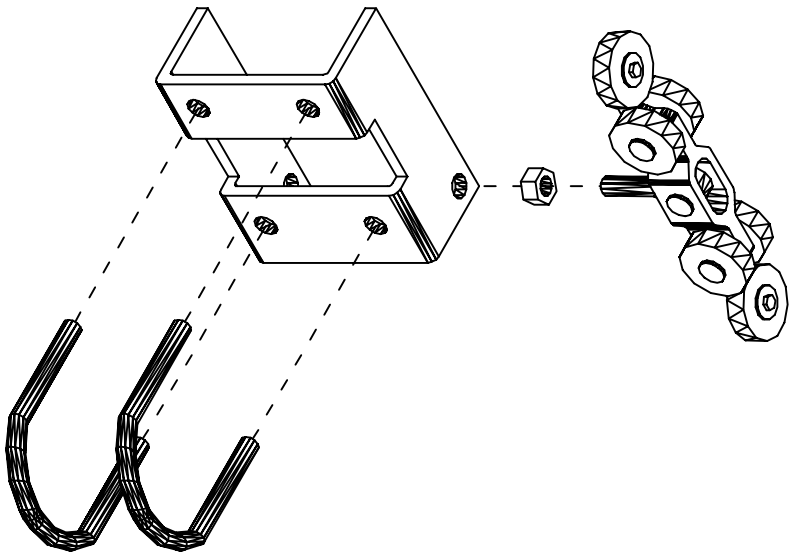
A

B

D

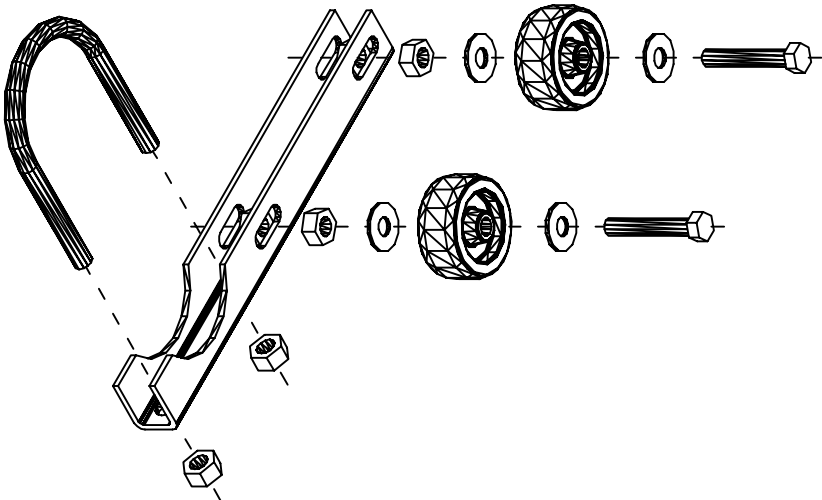
E

DRAWING NO:



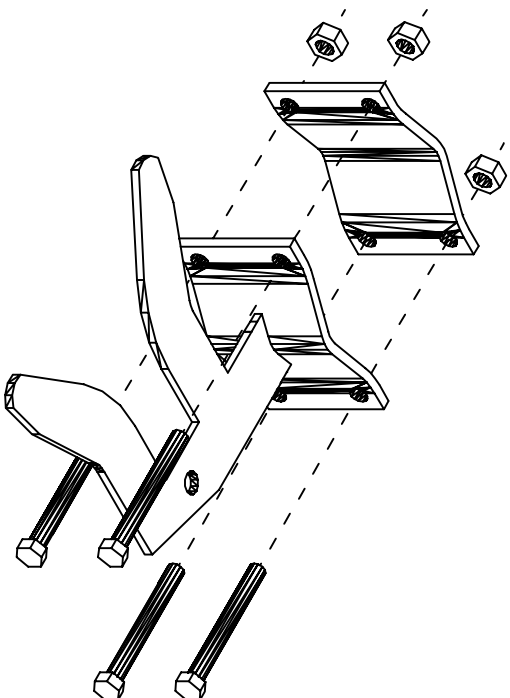
**DETAIL OF TRUCK ASSEMBLY
AND TRUCK HANGER BRACKET**

- 1. Scale - 2" = 1'-0"
- 2. Hot-Dipped galvanized in accordance with ASTM F626



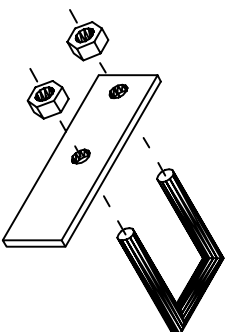
DETAIL OF BOTTOM ROLLER GUIDE

- 1. Scale - 2" = 1'-0"
- 2. Hot-Dipped galvanized in accordance with ASTM F626



DETAIL OF GATE RECEIVER

- 1. Scale - 2" = 1'-0"
- 2. Hot-Dipped galvanized in accordance with ASTM F626



DETAIL OF STOP BAR

- 1. Scale - 2" = 1'-0"
- 2. Hot-Dipped galvanized in accordance with ASTM F626

A

B

C

D

E



Aluminum Slide Gate
Parts Details

DATE: 10-07-2008 APPROVED BY: JMP
SCALE: VAR DRAWN BY: MJL REV: 1

4

3

2

1